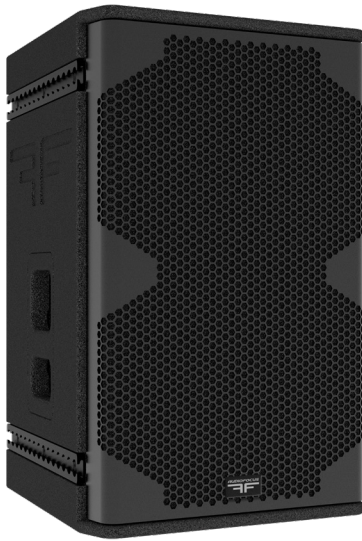


FRX 12a High SPL. Compact and Scalable.



FRX 12a is a compact, powerful self-powered 2-way constant curvature loudspeaker, optimized for medium throw, high SPL live applications. FRX 12a is a uniquely versatile building block for systems ranging from single top pole mounts to left/right, central cluster or in the round setups. Typically used in horizontal ground stack configurations, FRX12a can also be flown horizontally or vertically and its adjustable 80x30° AF horn can be reconfigured quickly without the need for tools.

Our proprietary X-Comb DSP technology eliminates comb effects, ensuring perfect coupling between FRX 12a cabinets and creating a coherent wavefront at any location. The enclosure houses a 1.4" diaphragm compression driver loaded with a 12" neodymium low-frequency transducer and offers two distinct directivity plans.

An advanced AUDIOFOCUS SCiO Class D amplifier module with integral DSP allows FRX 12a to be quickly deployed in any configuration.

FRX 12a is built with pride in Belgium and coated in tough, weather-resistant polyurea to safeguard your investment. The cabinet front is protected by a rigid metal grill, backed by acoustically transparent foam



100 to 3000



80° x 30°



55Hz - 20kHz

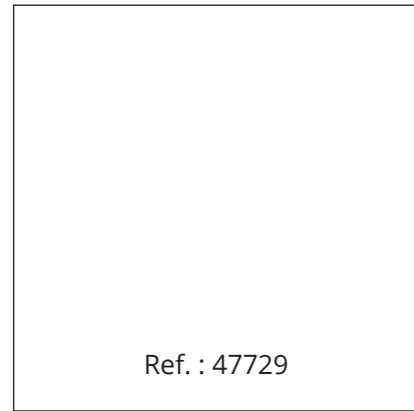
Technical specifications

Description	2-way active self-powered full-range constant curvature element
Transducers	LF: 1x12" • HF: 1x1.4" exit compression driver / voice coil diameter 1.75"
Frequency range (-6dB)	55Hz-20 kHz
Nominal directivity (-6dB)	80°x30° • Rotatable horn, no tools needed
SPL max (1)	136 dB
Processing	Dedicated AUDIOFOCUS SCiO presets
Rigging	Pole mounted and Aeroquip fly tracks with dedicated rigging
Audio connectors	IN: 1x3-point XLR • LINK: 1x3-point XLR
Network Connectors	1 x etherCON for control
Power Connectors	IN: 1x3-point powerCON TRUE1TOP LINK: 1x3-point powerCON TRUE1TOP
Dimensions (H x W x D)	604 x 382 x 437 mm • 23.77 x 15.03 x 17.2 inches
Weight	33kg / 72.75lbs
Finish	Highly resistant polyurea coating
Cabinet	High grade birch plywood

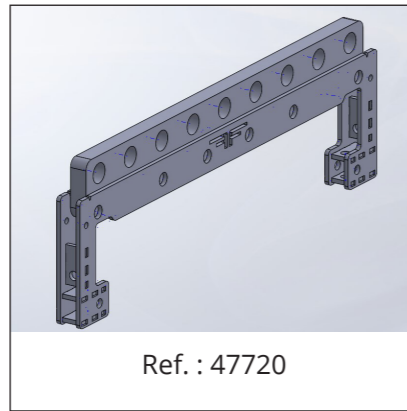
(1) Peak level measured at 1 m under free field conditions using pink noise with crest factor 5

Accessories

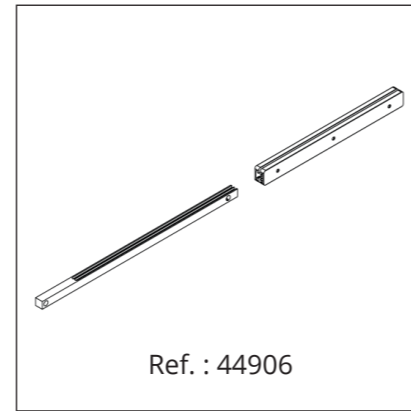
Delta bar for bumper of FRX 12



Bumper for FRX 12 series



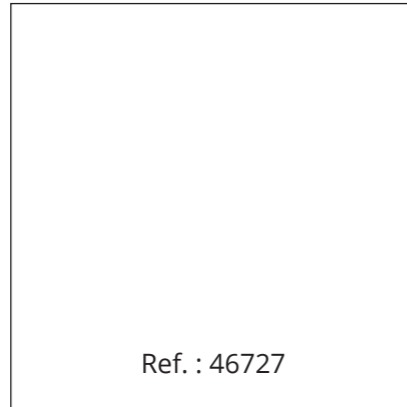
"H" profile for FRX 12 series



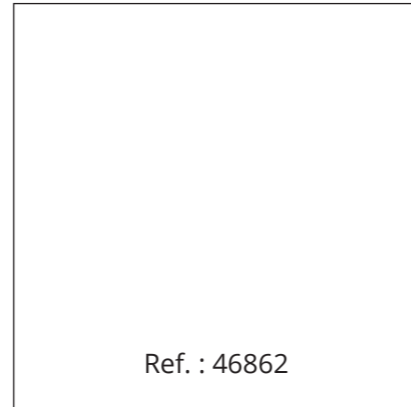
Horizontal Yoke for FRX 12



Rain Cover for FRX 12 series



Protection Cover for FRX 12



Flight case

Flight-case for 2 FRX 12 incl. wheels

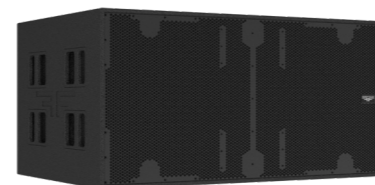


Subwoofers

S 21a
Touring high performance compact 21" subwoofer



MTSub 218a
High performance passive 2x18" touring subwoofer



Software



SCiO

Connect & Control your amplifiers

AUDIOFOCUS SCiO amplifiers can be securely monitored and controlled anytime, anywhere over the network.

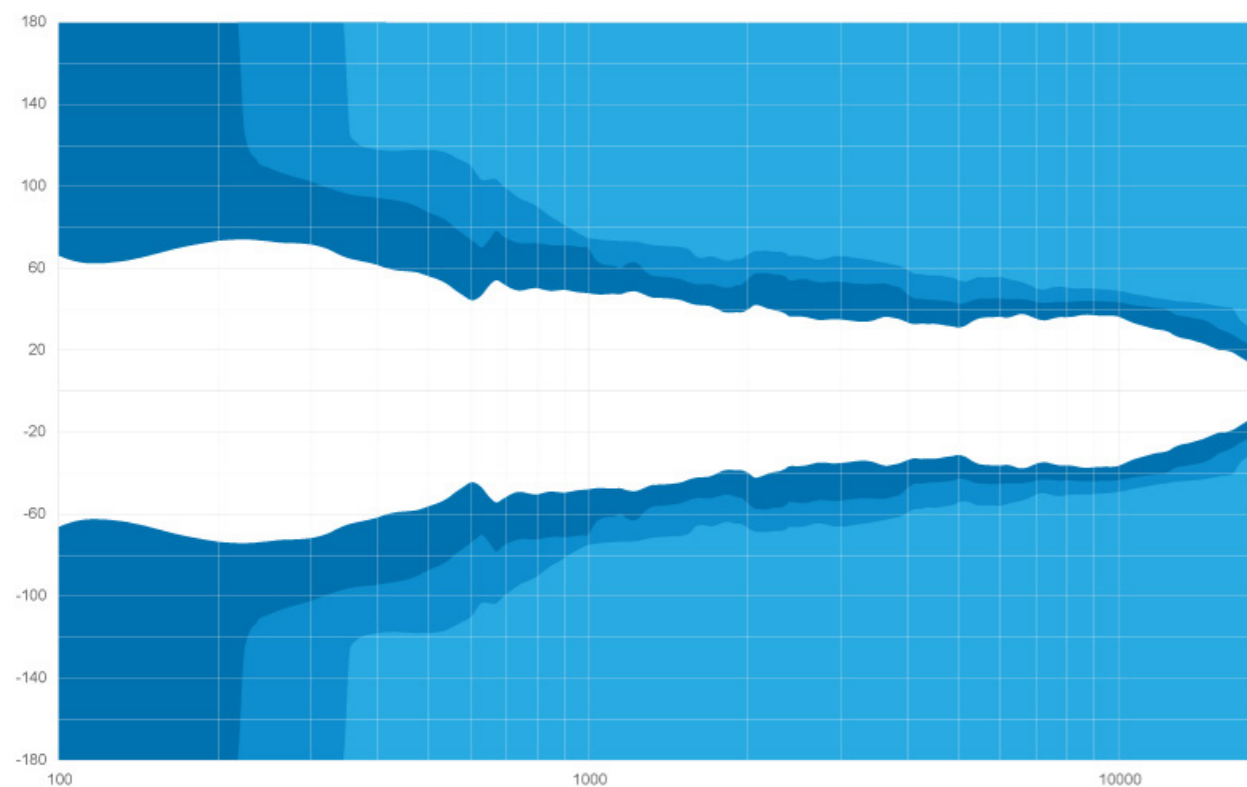
Our intuitive Web UI network manager is web-based, eliminating the need for software downloads, and allows multiple amplifiers to be managed from your preferred device.

The network manager offers the comprehensive processing options you would expect from a high-end system controller.

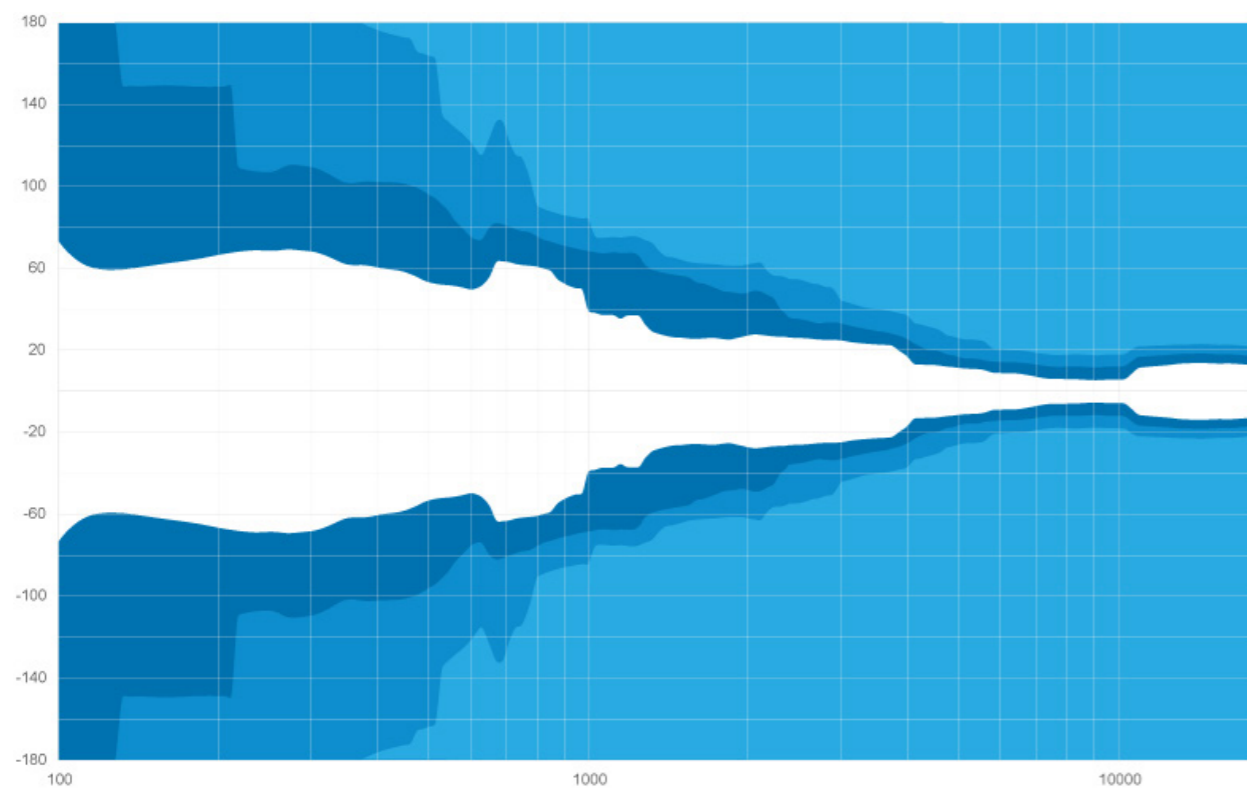
For more detailed information **please visit the [AUDIOFOCUS SCiO page](#)**.

Beamwidth

FRX 12a Horizontal beamwidth



FRX 12a Vertical beamwidth



Contact & Links

Need more information about our products ?

www.audiofocus.eu

info@audiofocus.eu

www.facebook.com/AudiofocusPage/

www.facebook.com/groups/AUDIOFOCUS/

Scan QR Code to view the FRX 12a product's web page.



Follow Us.

